

Features

- Single-speed whirlpool offers performance and value, with 6 fully adjustable jets.
- Hydromassage flow and direction can be controlled at each jet.
- Oval basin creates a spacious bathing experience.
- Integral lumbar support and armrests offer extra comfort while bathing.
- Textured bottom surface.
- Multiple pump location options give you more choices for installation and access.

Material

- Acrylic.

Hydrotherapy

- Whirlpool.

Installation

- Reversible drain.
- Undermount.
- Drop-in or undermount.
- Smooth backside for easy handling and mounting of drain and overflow.

Required Products/Accessories

K-11677 Bath Drain

Recommended Products/Accessories

K-1491 Bath/Whirlpool Pillow
K-1601 Bath/whirlpool footstop, removable
K-24916 Wireless Music Kit
K-738 Under-Mount Install Kit - K-6346/K-6347
K-23726 Drain treatment
K-23732 Tub & shower cleaner



Codes/Standards



ASME A112.19.7/CSA B45.10
CSA B45.5/IAPMO Z124
UL 1795

KOHLER® Hydrotherapy Components Five-Year Limited Warranty

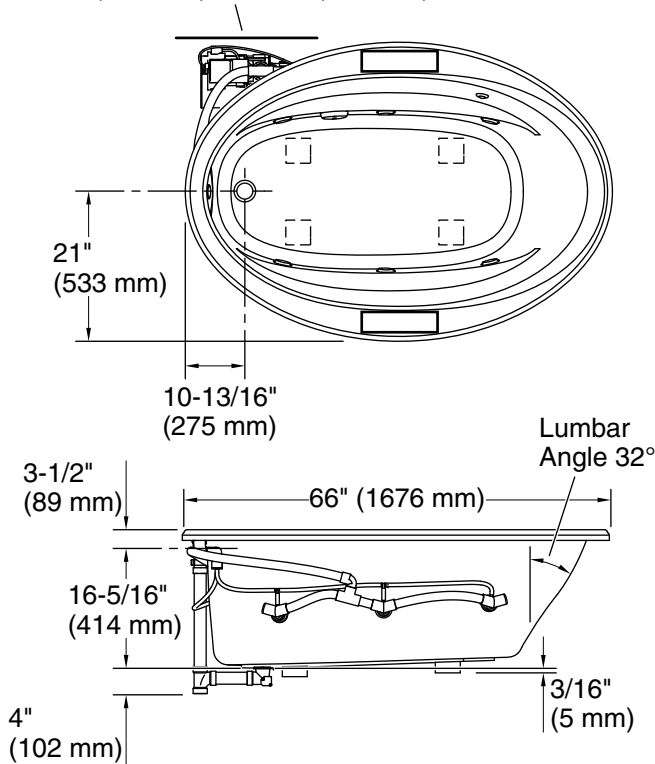
See website for detailed warranty information.

Available Colors/Finishes

Color tiles intended for reference only.

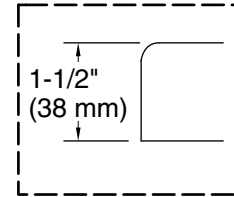
Color	Code	Description
	0	White
	96	Biscuit

Pump (Blower Motor) / Control Access
20" (508 mm) W x 15" (381 mm) H Min

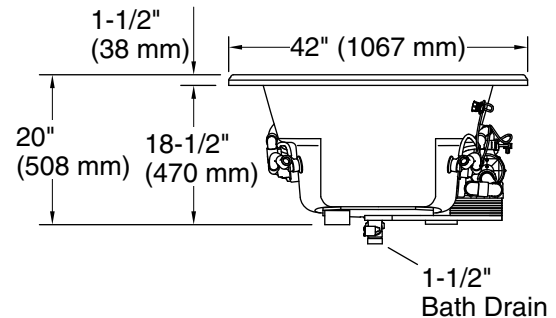


No change in measurements if connected with drain illustrated. (K-7213)

Recommended Faucet Location



Drop-in Rim Detail



Required Electrical Service

One dedicated circuit required, protected with Class A Ground-Fault Circuit-Interrupter (GFCI). Outside North America, this device may be known as a Residual Current Device (RCD).

Pump: 120 V, 15 A, 60 Hz

Technical Information

All product dimensions are nominal.

Installation: Drop-in, Under-mount

Drain location: End

Basin area, bottom: 48-5/8" x 24-1/2" (1235 mm x 622 mm)

Basin area, top: 60" x 32-3/16" (1523 mm x 818 mm)

Minimum floor load: 34 lbs/ft² (166 kg/m²)

Water depth: 14-5/16" (364 mm)

Water capacity: 70 gal (265 L)

Template: Drop-in, 1233384-7, not required, included

Electrical component rating: Pump: 120 V, 7.5 A, 60 Hz

Pump speed: Single

Notes

Measure your actual product for rough-in details.

Install this product according to the installation instructions.

The hot water supply should be 70% of the capacity of the bath or greater. Installations will vary.

Kit is required for under-mount installations (sold separately).

If installing a rim-mount faucet, make sure there is no interference above or below the deck before drilling any holes.